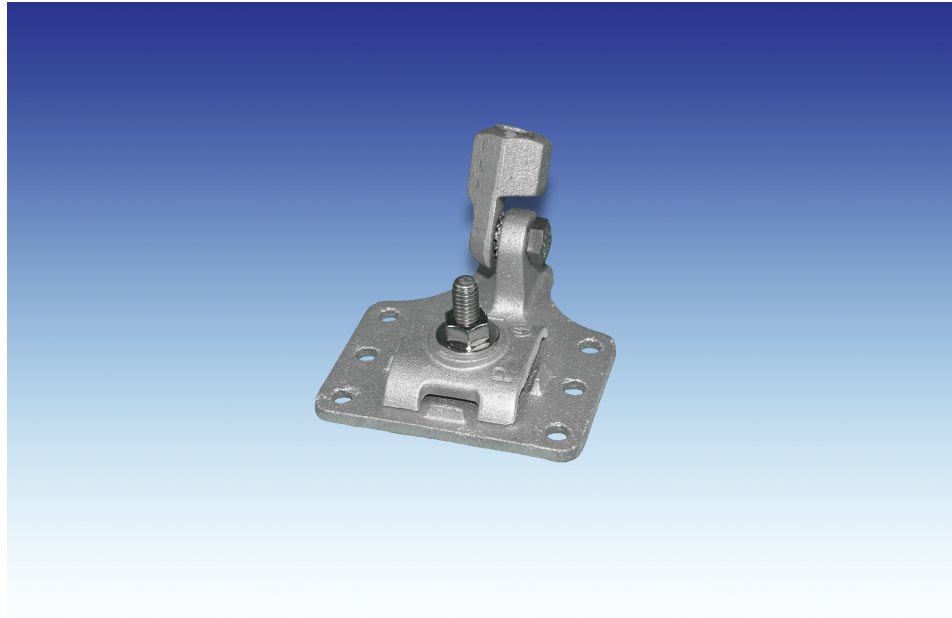




LightningMaster
Corporation

UNIVERSAL SWIVEL AIR TERMINAL BASE ALUMINUM LM-FAB-SWIVEL-1/2-A



APPLICATION: Class I aluminum universal air terminal swivel base for 1/2" air terminals. The swivel adapter allows the air terminal to level under most conditions.

DESCRIPTION: 1/2" thread base intended for installation on flat surfaces for horizontal or vertical mounting. Utilizes a variety of mounting applications such as self tapping screws, nails or adhesives.

©2021 Lightning Master Corporation

This data sheet is confidential and all rights are reserved. It shall not be reproduced, copied, for any other purpose than for which it is specifically furnished.

2100-A Palmetto St., Clearwater, FL 33765
800-749-6800

lightningmaster.com